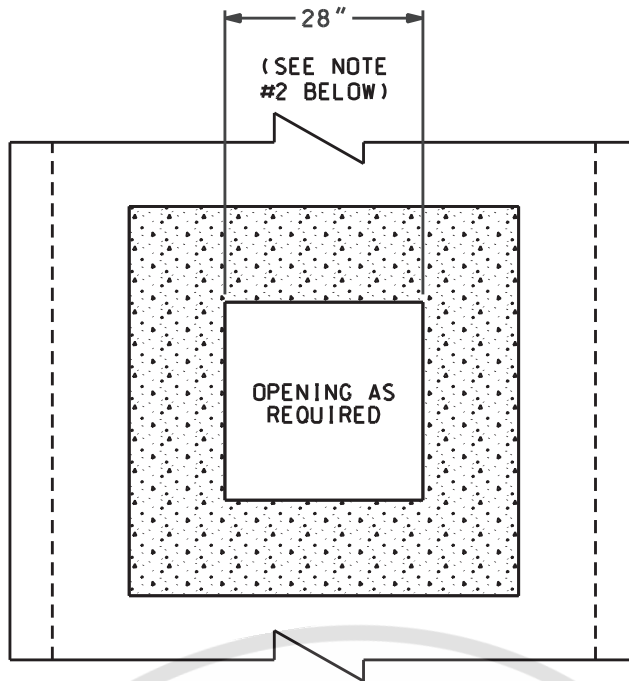


REINFORCED ELLIPTICAL PIPE							
SIZE	23"x14"	30"x19"	38"x24"	45"x29"	53"x34"	60"x38"	76"x48"
EQUIV. ROUND	18"	24"	30"	36"	42"	48"	60"
SIZE (mm)	580x360	770x490	960x600	1150x730	1355x865	1520x970	1920x1225
WEIGHT/FT	240	350	440	680	880	1080	1600
WATERWAY AREA Sq.Ft.	1.8	3.3	5.1	7.4	10.2	12.9	20.5
WT	3	3.25	3.75	4.5	5.0	5.5	6.5
F	3.5	3.5	3.5	3.5	4.0	4.0	4.0

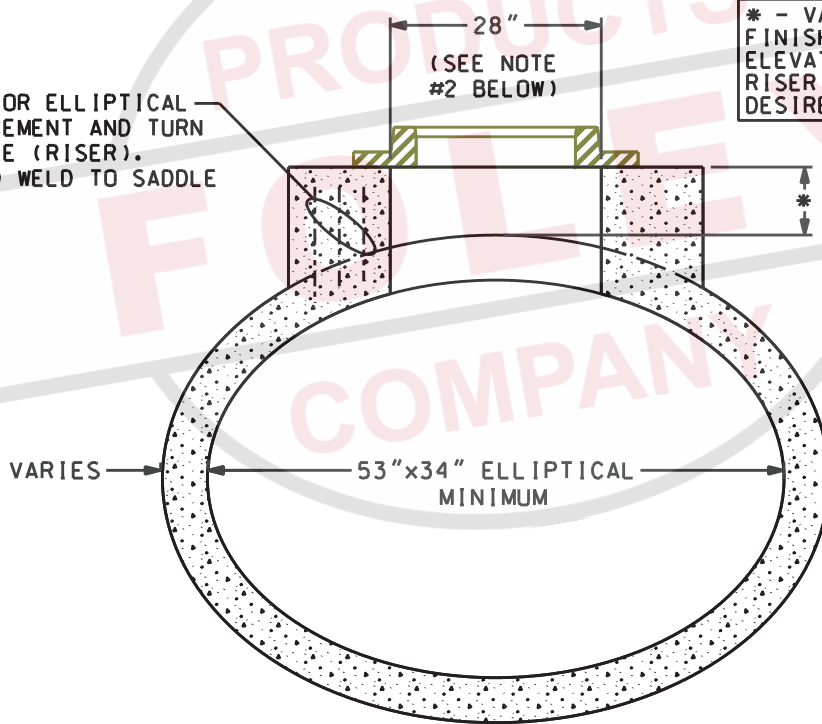
**GENERAL NOTES:**

1. REINFORCED ELLIPTICAL PIPE IS TYPICALLY MANUFACTURED TO CURRENT ASTM C-507 SPECIFICATIONS.
2. ELLIPTICAL PIPE CAN BE MANUFACTURED TO MEET SPECIFIC PROJECT CONDITIONS.
3. SIZES UP TO 45" X 29" WILL HAVE BELL END. LARGER WILL HAVE A STRAIGHT WALL JOINT CONFIGURATION.

	HERMITAGE, TN    LENOIR CITY, TN FRANKLIN, TN    CHATANOOGA, TN	
	PH* 1-800-737-0707	DWG# RCP-022
DATE: 01/28/12	SHEET# 1 OF 1	



CUT CIRCULAR OR ELLIPTICAL PIPE REINFORCEMENT AND TURN UP INTO SADDLE (RISER). REINFORCE AND WELD TO SADDLE REINFORCEMENT



ELLIPTICAL PIPE OR ROUND PIPE

**GENERAL NOTES:**

1. STACK-OUT (RISERS) ARE AVAILABLE IN A VARIETY OF SIZES AND SHAPES TO ACCOMMODATE STORM STRUCTURES (IN RECTANGULAR, SQUARE, OR ROUND) AND HYDRAULIC OPENING OF CASTING.
2. CHECK WITH SDCI REPRESENTATIVES FOR OTHER OPTIONS.



HERMITAGE, TN LENOIR CITY, TN  
FRANKLIN, TN CHATANOOGA, TN