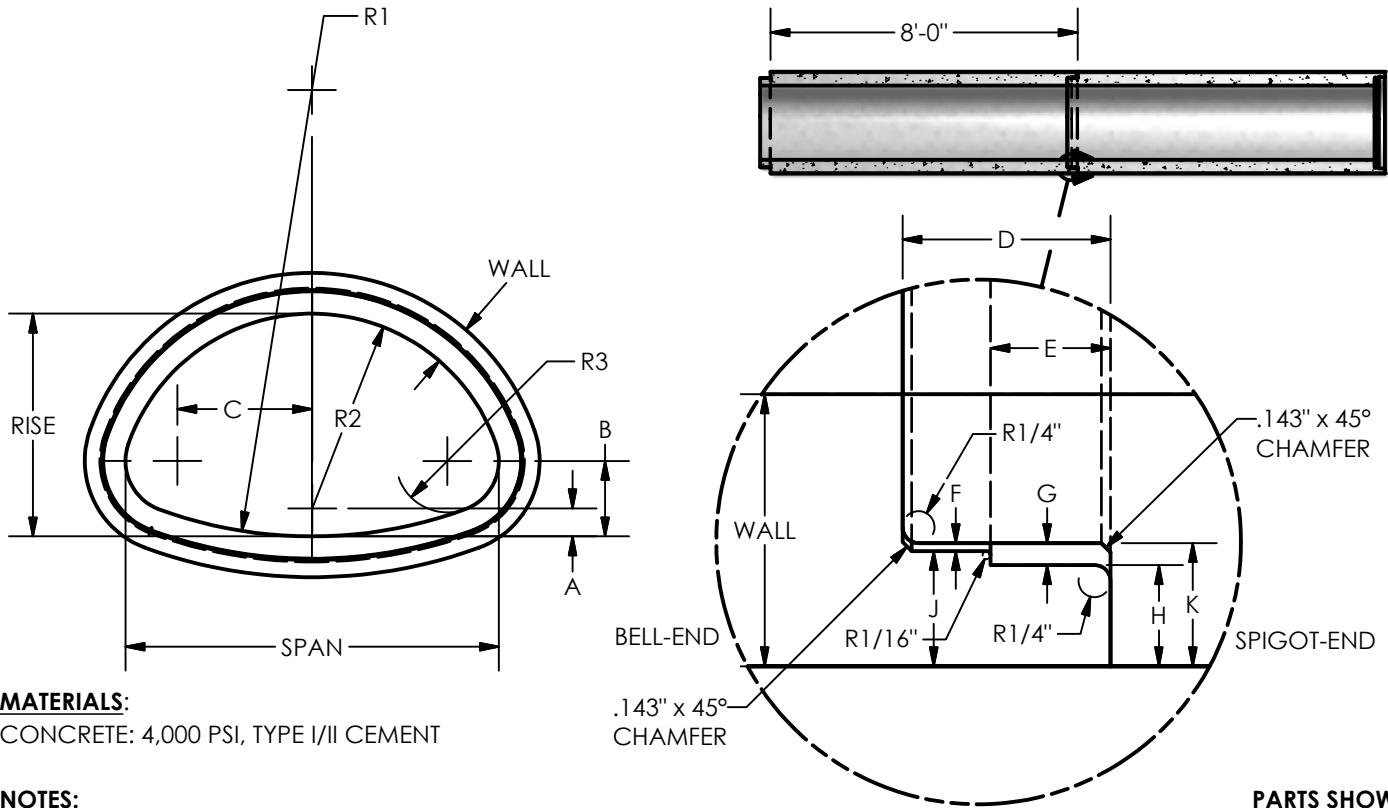


EQUIV Ø	WALL	RISE	SPAN	R1	R2	R3	A	B	C
15"	3.250"	11.0000"	18.000"	22.8750"	10.6250"	4.041400"	0.3750"	4.68750"	4.03125"
18"	3.375"	13.5000"	22.000"	27.5000"	13.7500"	5.250000"	0.2500"	6.00000"	5.75000"
24"	3.750"	18.0000"	28.500"	40.6875"	14.5625"	4.593750"	3.4375"	5.90625"	9.65625"
30"	4.250"	22.5000"	36.250"	51.0000"	18.7500"	6.031250"	3.7500"	7.68750"	12.09375"
36"	4.750"	26.6250"	43.750"	62.0000"	22.5000"	6.375000"	4.1250"	8.56250"	15.50000"
42"	5.250"	31.3125"	51.125"	73.0000"	26.2500"	7.562500"	5.0625"	10.09375"	18.00000"
48"	5.750"	36.0000"	58.500"	84.0000"	30.0000"	8.750000"	6.0000"	11.59375"	20.50000"
54"	6.25"	40.0000"	65.000"	92.5000"	33.3750"	9.812500"	6.6250"	13.00000"	22.68750"
60"	6.75"	45.0000"	73.000"	105.0000"	37.5000"	11.21875"	7.5000"	14.68750"	25.28125"

EQUIV Ø	D	E	F	G	H	J	K	TONS
15"	3.25"	1.875"	.126000"	0.32600"	1.00000"	1.314"	1.326"	0.80
18"	3.25"	1.875"	0.12500"	0.34375"	1.25000"	1.564"	1.576"	0.96
24"	3.25"	1.875"	0.12500"	0.34375"	1.50000"	1.814"	1.826"	1.36
30"	3.25"	1.875"	0.12500"	0.34375"	1.59375"	1.912"	1.924"	1.93
36"	3.25"	1.875"	0.12500"	0.34375"	1.71875"	2.037"	2.049"	2.56
42"	3.75"	2.250"	0.15625"	0.43750"	1.90625"	2.350"	2.365"	3.34
48"	3.75"	2.250"	0.15625"	0.43750"	2.15625"	2.600"	2.615"	4.13
54"	4.25"	2.250"	0.14600"	0.44600"	2.30400"	2.752"	2.750"	4.92
60"	4.25"	2.250"	0.14600"	0.44600"	2.60400"	3.052"	3.050"	5.92



MATERIALS:
 CONCRETE: 4,000 PSI, TYPE I/II CEMENT

NOTES:
 AVAILABLE IN CLASS III AND IV

PARTS SHOWN:
 30" ARCH RCP



REINFORCED CONCRETE PIPE

ARCH PIPE

3.9