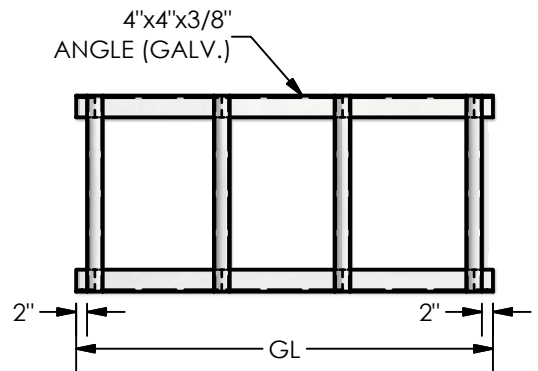
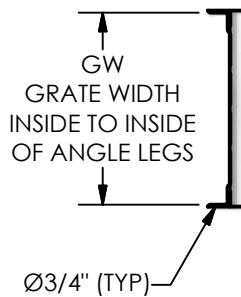
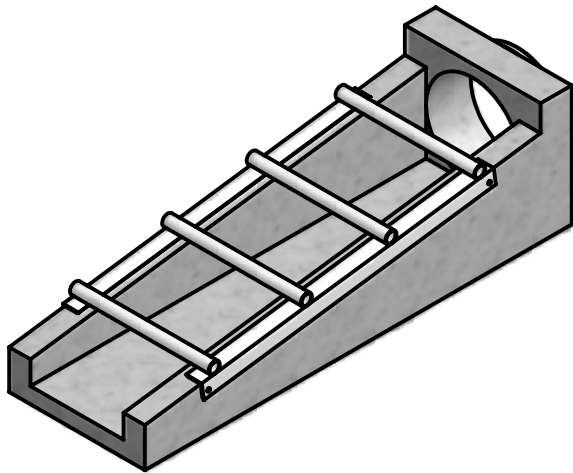
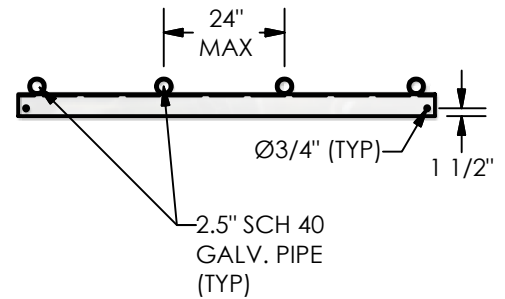
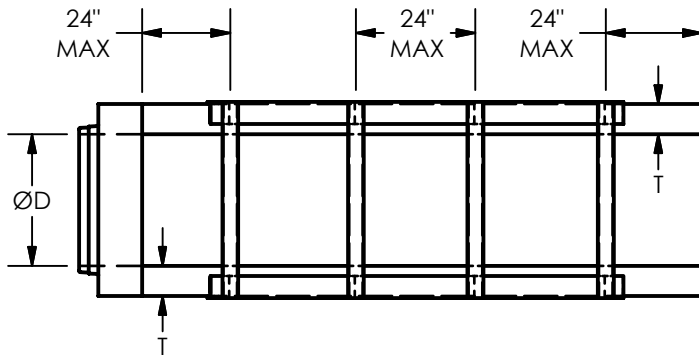
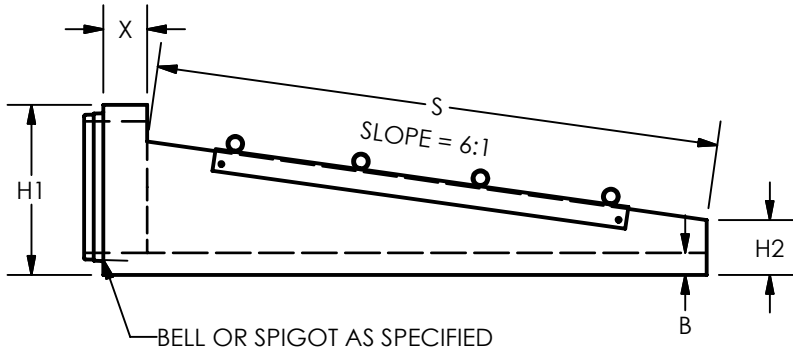


D	H1	H2	L	S	X	W	T	B	TONS	GL	GW	SPACES	QTY
15"	23"	10"	54"	49"	6"	24"	4.5"	4"	0.50	2'-4"	2'-1"	1	2
18"	26"	10"	74"	67"	8"	27"	4.5"	4"	0.77	2'-4"	2'-4"	1	2
24"	31"	10"	110"	103"	8"	35"	5.5"	4"	1.48	6'-4"	3'-0"	3	4
30"	40"	11"	150"	146"	6"	43"	6.5"	5"	3.07	8'-4"	3'-8"	4	5
36"	46"	11"	186"	182"	6"	47"	5.5"	5"	3.81	12'-4"	4'-0"	6	7
42"	52"	11"	222"	218"	7"	54"	6.0"	5"	5.64	14'-4"	4'-7"	7	8
48"	58"	11"	264"	260"	7"	60"	6.0"	5"	7.47	18'-4"	5'-1"	9	10



**MATERIALS:**

CONCRETE: 4,000 PSI, TYPE I/II CEMENT  
 REINFORCEMENT PER AASHTO M170, CLASS II RCP  
 PLUS ONE #4 BAR TOP AND BOTTOM, EACH SIDE

**PARTS SHOWN:**

Ø24" SAFETY FLARED END SECTION (SPIGOT)

NOTES:  
 MEETS GA DOT STANDARD 1122

**FOLEY**  
 COMPANY

**REINFORCED CONCRETE PIPE**

SAFETY FLARED END SECTIONS

**3.8**