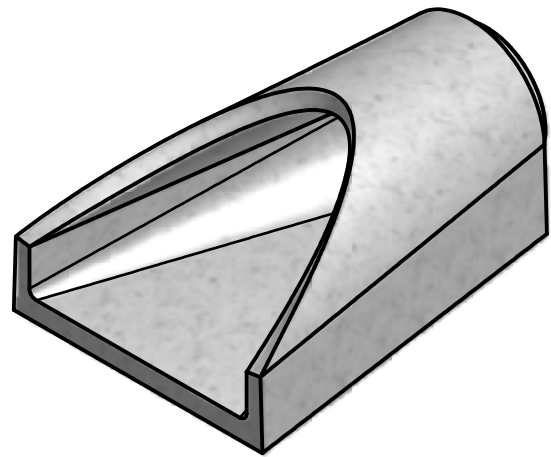
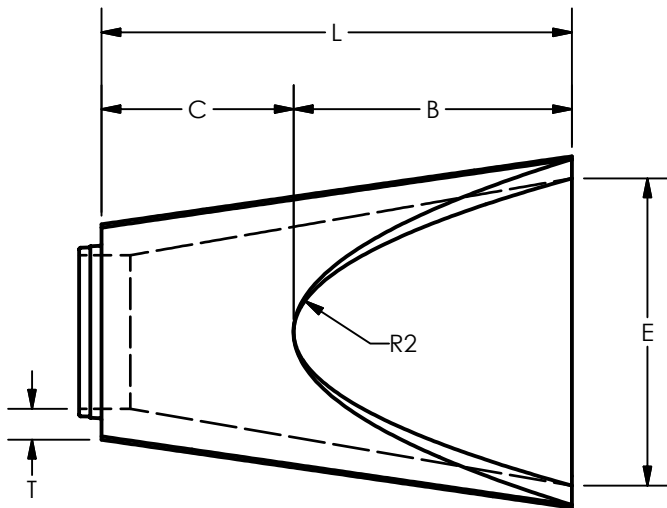
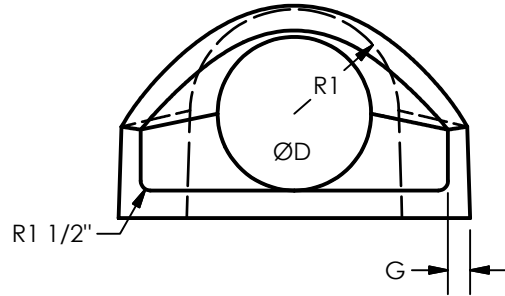
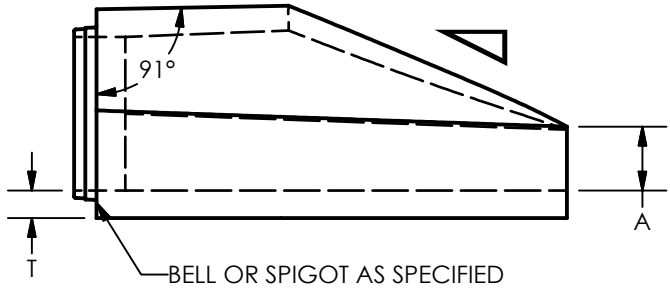


D	T	A	B	C	L	E	G	R1	R2	SLOPE	TONS
15"	4.25"	6"	27"	46"	73"	30"	2.25"	14.5"	11.0"	2:1	0.83
18"	4.50"	9"	27"	46"	73"	36"	2.50"	18.0"	13.5"	2:1	1.04
24"	4.50"	10"	43"	32"	75"	48"	3.00"	20.0"	15.0"	2.2:1	1.36
30"	4.75"	12"	54"	20"	74"	60"	3.50"	21.0"	16.0"	2.3:1	1.65
36"	4.75"	15"	63"	35"	98"	72"	4.00"	30.0"	22.0"	2.4:1	2.24
42"	5.00"	21"	63"	35"	98"	78"	4.50"	33.0"	24.0"	2.4:1	3.15



**MATERIALS:**

CONCRETE: 4,000 PSI, TYPE I/II CEMENT

**NOTES:**

MEETS GA DOT STANDARD 1120

**PARTS SHOWN:**

Ø24" STANDARD FLARED END SECTION (SPIGOT)



**REINFORCED CONCRETE PIPE**

STANDARD FLARED END SECTIONS

**3.7**