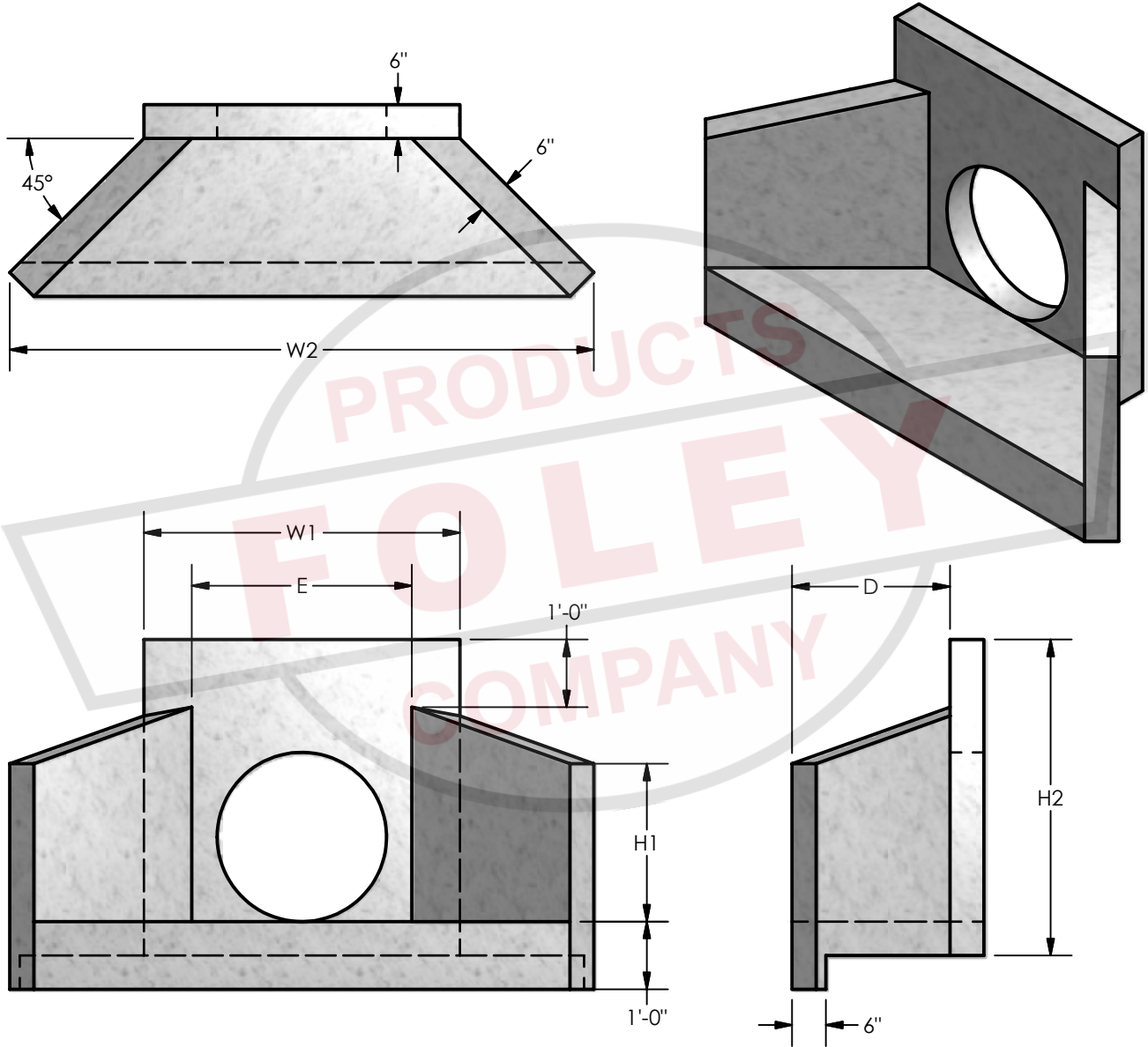


| HEADWALL SIZE      | W1     | W2      | H1    | H2    | D     | E     | TONS | BLOCKS |
|--------------------|--------|---------|-------|-------|-------|-------|------|--------|
| 12"                | 2'-6"  | 3'-9"   | 0'-7" | 2'-6" | 1'-6" | 1'-0" | 0.55 | N/A    |
| 15", 18"           | 3'-2"  | 4'-9"   | 1'-3" | 3'-2" | 1'-2" | 1'-9" | 0.92 | 1      |
| 24"                | 4'-2"  | 8'-2"   | 2'-0" | 4'-2" | 1'-8" | 2'-9" | 1.73 | 3      |
| 30", 36"           | 4'-8"  | 8'-8"   | 2'-4" | 4'-8" | 2'-4" | 3'-3" | 1.92 | 3      |
| 42", 48"           | 5'-8"  | 10'-11" | 3'-6" | 5'-9" | 3'-0" | 4'-3" | 3.33 | 4      |
| 54", 60"           | 6'-5"  | 12'-6"  | 4'-0" | 6'-5" | 3'-5" | 5'-0" | 3.77 | 7      |
| 66", 72"           | 8'-5"  | 13'-5"  | 5'-7" | 8'-0" | 3'-0" | 7'-0" | 5.30 | 9      |
| 78", 84", 90", 96" | 10'-2" | 15'-10" | 4'-0" | 9'-0" | 3'-4" | 8'-4" | 7.31 | 11     |



**MATERIALS:**

CONCRETE: 4,000 PSI, TYPE I/II CEMENT

**NOTES:**

SEE PAGE 3.6 FOR HEADWALL SIZING

**PARTS SHOWN:**

30" HEADWALL FOR Ø18" RCP



**REINFORCED CONCRETE PIPE**

HEADWALLS

**3.5**