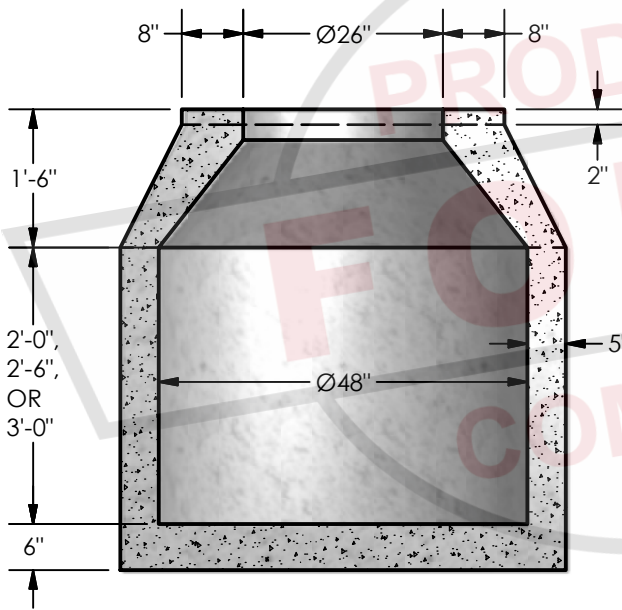
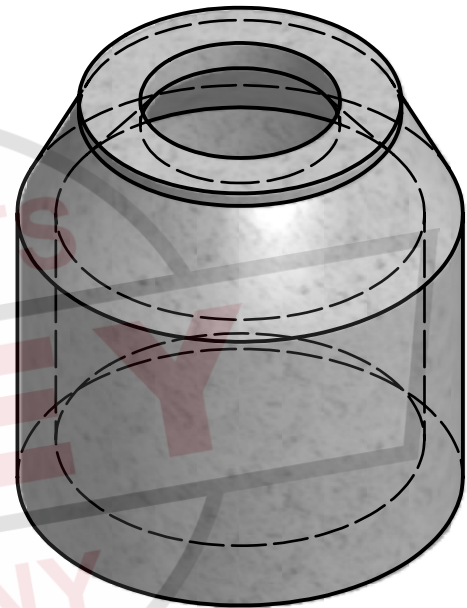
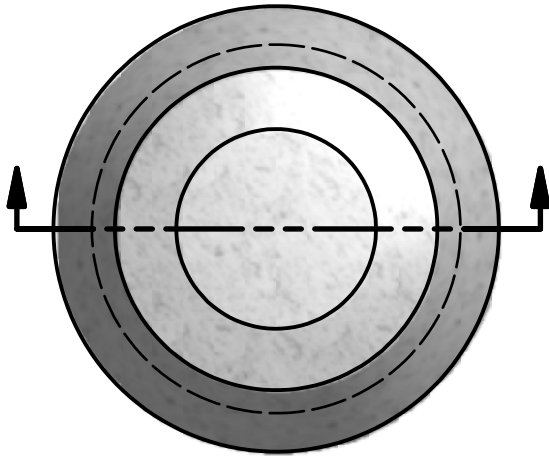


HEIGHT	TONS
2'-6"	2.50
3'-0"	2.72
3'-6"	2.94



**MATERIALS:**

CONCRETE: 4,000 PSI, TYPE I/II CEMENT  
REINFORCEMENT PER ASTM C-478

**NOTES:**

FLEXIBLE CONNECTORS ARE AVAILABLE

**PARTS SHOWN:**

3'-0" ALABAMA DOT SPECIAL BASE-CONE



**DOT**

AL DOT SPECIAL BASE-CONE

**5.8**