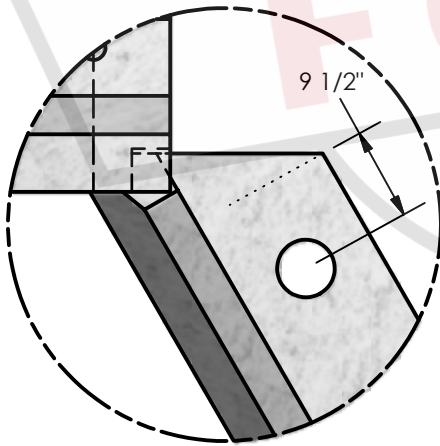
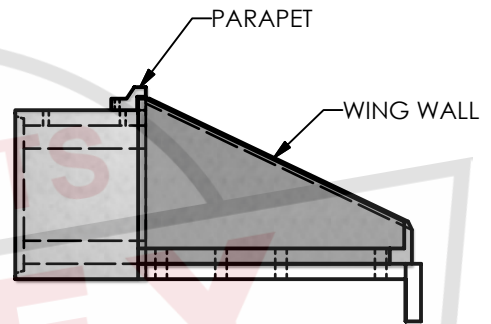
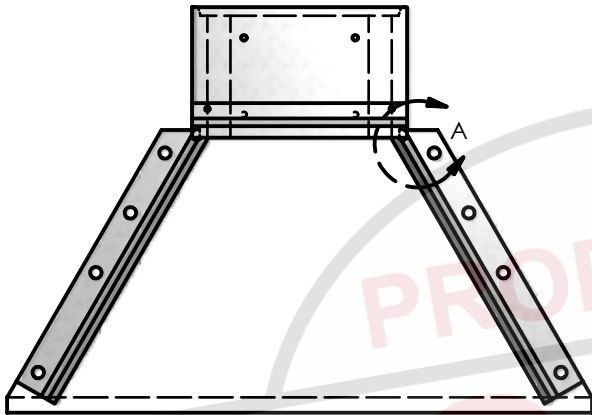
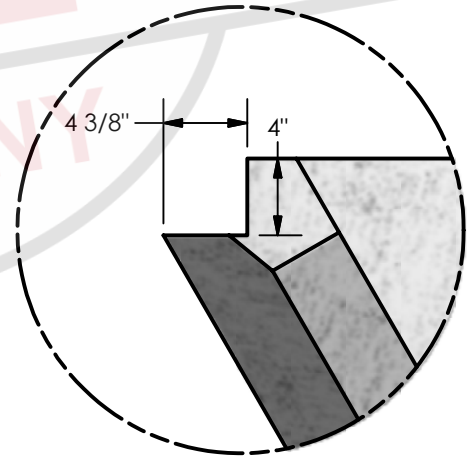
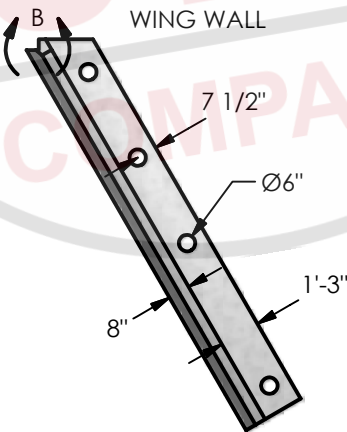


APRON  
TO BE POURED IN FIELD BY CONTRACTOR



DETAIL A



DETAIL B

**MATERIALS:**

CONCRETE: 5,000 PSI, TYPE I/II CEMENT

**NOTES:**

APRON TO BE POURED IN FIELD BY CONTRACTOR

**PARTS SHOWN:**

SPAN 8' x RISE 6'



**BOX CULVERT**

WING WALL ASSEMBLY

**4.6**