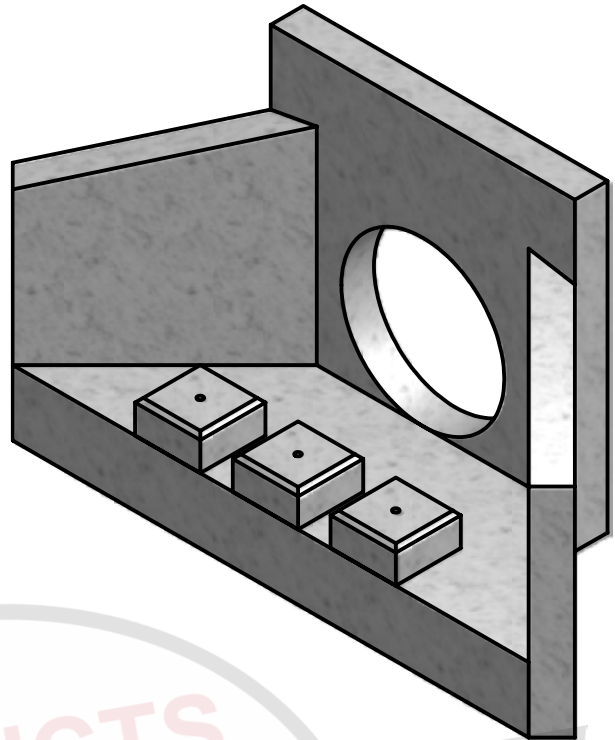
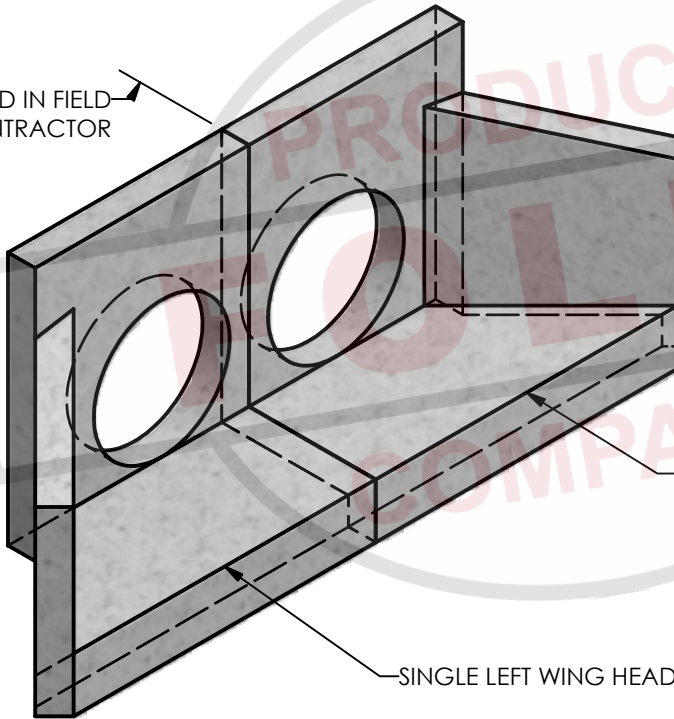


HOLE SIZE	CMP INNER DIAMETER	RCP INNER DIAMETER	HDPE INNER DIAMETER
12'	12'		8"
15'	15'		10"
18'	18'	12'	12'
24'	24'	15'	15', 18"
30'	30'	18'	24"
36"	36"	24"	
42"	42"	30"	30"
48"	48"	36"	36"
54"	54"	42"	42"
60"	60"	48"	48"
66"	66"		
72"	72"	54"	60"
78"	78"	60"	
84"	84"	66"	
90"	90"	72"	
96"	96"		



DISSIPATOR BLOCKS:
 BLOCKS ARE 12"Lx12"Wx6"H
 3/4" CHAMFER
 SPACING BETWEEN BLOCKS IS 6"
 EACH BLOCK IS 0.04 TONS

TO BE JOINED IN FIELD
 BY CONTRACTOR



SINGLE RIGHT WING HEADWALL

SINGLE LEFT WING HEADWALL

MATERIALS:

CONCRETE: 4,000 PSI, TYPE I/II CEMENT

NOTES:

SEE PAGE 3.5 FOR HEADWALL DIMENSIONS
 HEADWALLS FOR CMP WILL HAVE A PIPE STUB UPON REQUEST
 SINGLE WING HEADWALLS ARE NOT AVAILABLE
 FOR HEADWALL SIZES >84"

PARTS SHOWN:

30" HEADWALL WITH DISSIPATORS FOR Ø18" RCP
 WITH 3 DISSIPATOR BLOCKS
 30" DOUBLE RUN HEADWALLS:
 30" HEADWALL (SINGLE LEFT WING)
 30" HEADWALL (SINGLE RIGHT WING)



REINFORCED CONCRETE PIPE

HEADWALL SIZING

3.6