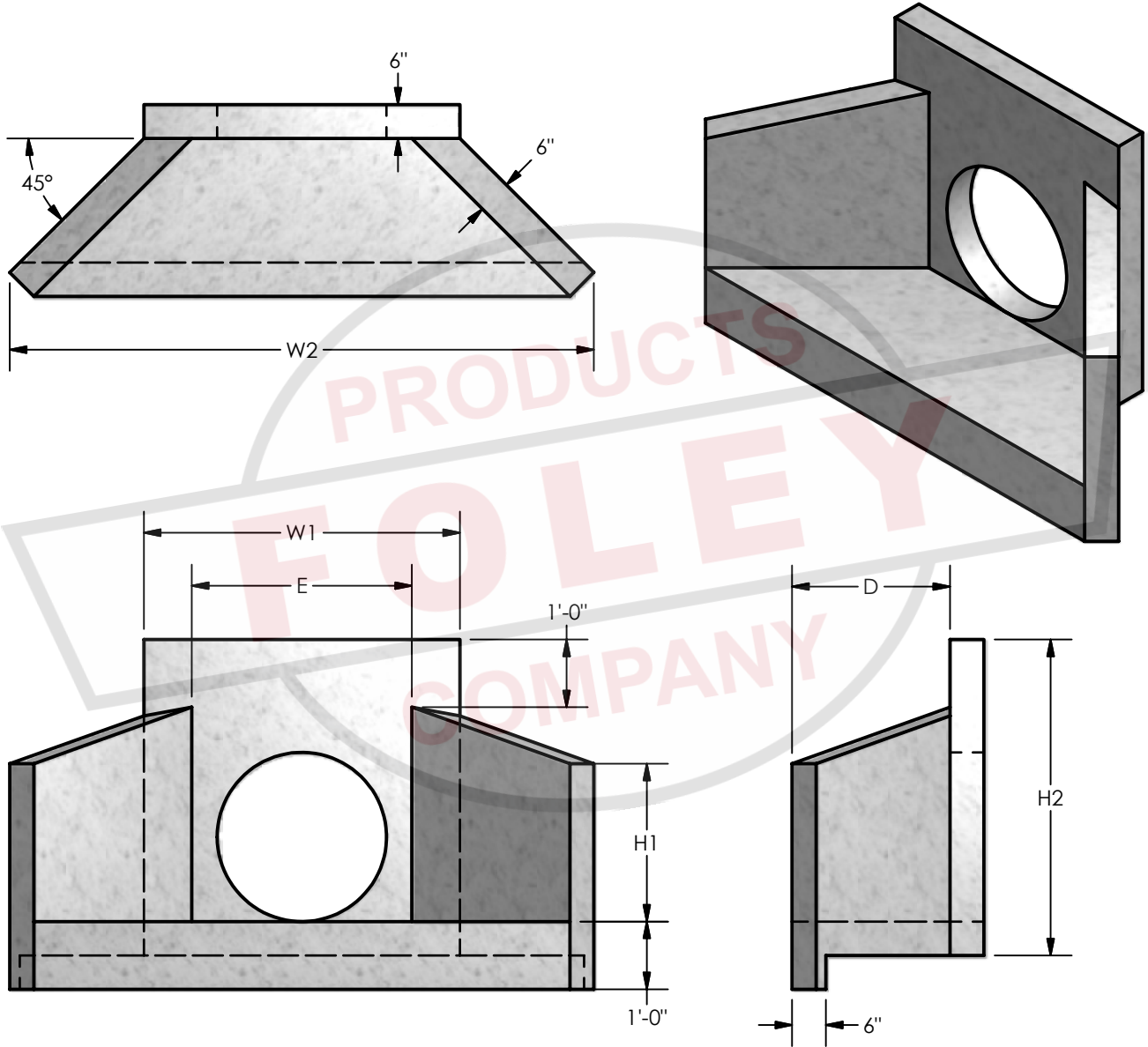


HEADWALL SIZE	W1	W2	H1	H2	D	E	TONS	BLOCKS
12"	2'-6"	3'-9"	0'-7"	2'-6"	1'-6"	1'-0"	0.55	N/A
15", 18"	3'-2"	4'-9"	1'-3"	3'-2"	1'-2"	1'-9"	0.92	1
24"	4'-2"	8'-2"	2'-0"	4'-2"	1'-8"	2'-9"	1.73	3
30", 36"	4'-8"	8'-8"	2'-4"	4'-8"	2'-4"	3'-3"	1.92	3
42", 48"	5'-8"	10'-11"	3'-6"	5'-9"	3'-0"	4'-3"	3.33	4
54", 60"	6'-5"	12'-6"	4'-0"	6'-5"	3'-5"	5'-0"	3.77	7
66", 72"	8'-5"	13'-5"	5'-7"	8'-0"	3'-0"	7'-0"	5.30	9
78", 84", 90", 96"	10'-2"	15'-10"	4'-0"	9'-0"	3'-4"	8'-4"	7.31	11



**MATERIALS:**

CONCRETE: 4,000 PSI, TYPE I/II CEMENT

**NOTES:**

SEE PAGE 3.6 FOR HEADWALL SIZING

**PARTS SHOWN:**

30" HEADWALL FOR Ø18" RCP



**REINFORCED CONCRETE PIPE**

HEADWALLS

**3.5**