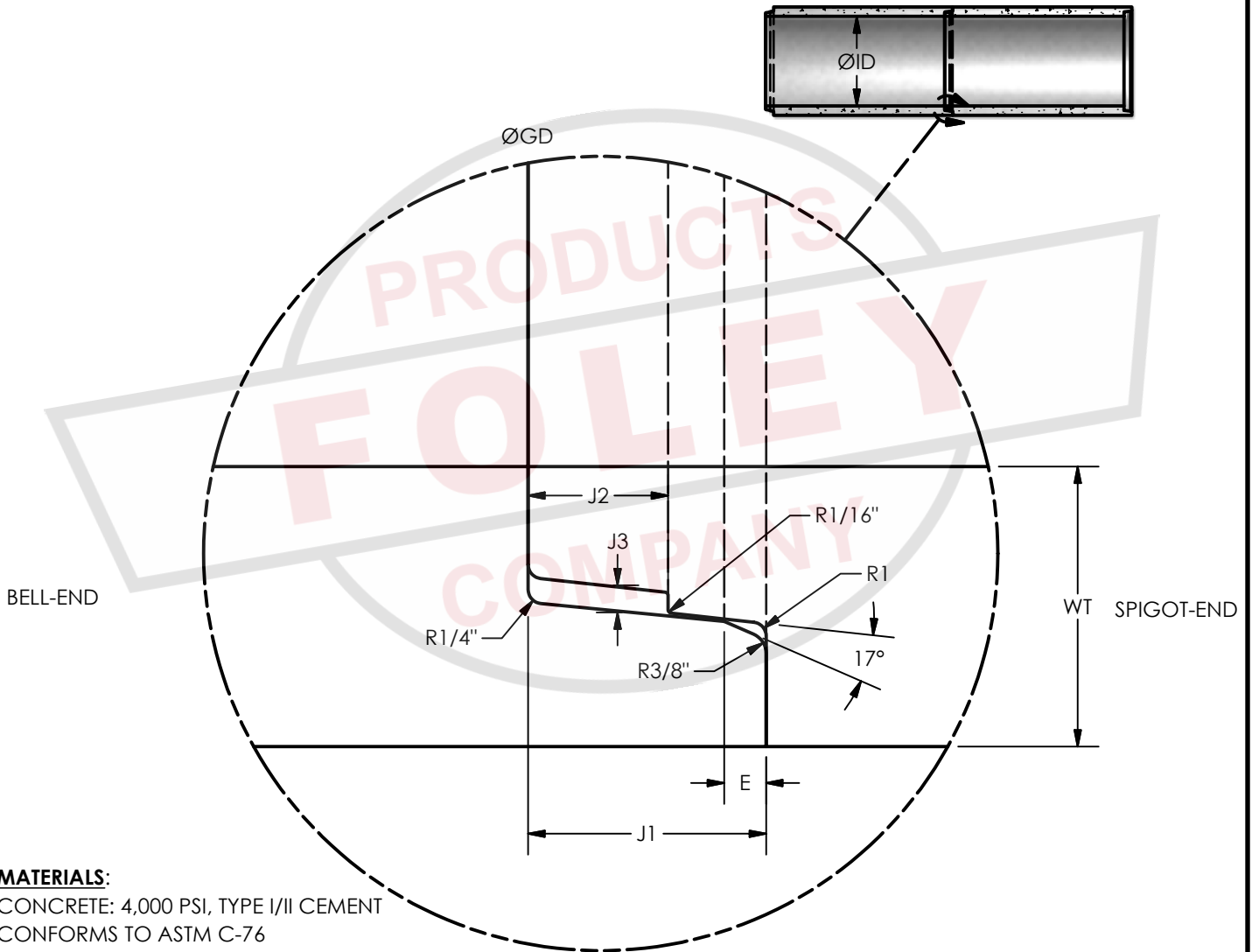


ID	WALL	WT	GD	J1	J2	J3	E	R1
42"	C	5.25"	46.281"	4.00"	2.500"	.446"	0.875"	.250"
48"	C	5.75"	52.89"	4.25"	2.500"	.446"	0.875"	.250"
54"	C	6.25"	58.60"	4.25"	2.500"	.446"	0.875"	.250"
60"	C	6.75"	65.10"	4.75"	2.500"	.446"	0.875"	.250"
66"	C	7.25"	71.60"	5.00"	2.500"	.446"	0.875"	.250"
72"	C	7.75"	77.88"	5.00"	2.500"	.446"	1.250"	.250"
78"	C	8.25"	84.47"	5.00"	2.625"	.500"	1.250"	.375"
84"	C	8.75"	90.97"	5.00"	2.750"	.500"	1.250"	.375"
96"	C	9.75"	103.97"	5.00"	2.750"	.500"	1.250"	.375"



**MATERIALS:**

CONCRETE: 4,000 PSI, TYPE I/II CEMENT  
 CONFORMS TO ASTM C-76  
 JOINT CONFORMS TO ASTM C-443

**NOTES:**

AVAILABLE IN CLASS III, IV AND V

**PARTS SHOWN:**

Ø48" B-WALL



**REINFORCED CONCRETE PIPE**

Ø42" - Ø96" C-WALL PIPE JOINT DETAIL

**3.4**