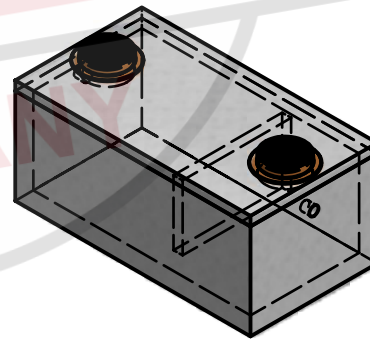


GALLONS	INSIDE LENGTH (FT)	INSIDE WIDTH (FT)	LIQUID DEPTH (FT)	TOTAL DEPTH (FT)	WALL THICKNESS (IN)	TOP THICKNESS (IN)	BASE THICKNESS (IN)
1000	8.50	4.50	3.50	4.50	6	6	6
1500	8.50	4.50	5.25	6.00	6	6	6
1500	10.00	5.00	4.00	5.00	6	6	6
1500	12.00	6.00	3.00	4.00	6	6	6
2000	8.50	4.50	7.00	8.00	6	6	6
2000	10.00	5.00	5.50	6.50	6	6	6
2000	12.00	6.00	3.75	4.75	6	6	6
2500	10.00	5.00	6.75	7.75	6	6	6
2500	12.00	6.00	4.75	5.75	6	6	6
3000	10.00	5.00	8.00	9.00	6	6	6
3000	12.00	6.00	5.75	6.75	6	6	6
3000	12.00	9.00	3.75	4.75	6	7	7
3500	10.00	5.00	9.50	10.50	6	6	6
3500	12.00	6.00	7.50	7.50	6	6	6
3500	12.00	9.00	4.50	5.50	6	7	7
3500	13.50	9.00	4.00	5.00	8	8	8
4000	10.00	5.00	10.75	11.75	6	6	6
4000	12.00	6.00	7.50	8.50	6	6	6
4000	12.00	9.00	5.00	6.00	6	7	7
4000	13.50	9.00	4.50	5.50	8	8	8

GALLONS	INSIDE LENGTH (FT)	INSIDE WIDTH (FT)	LIQUID DEPTH (FT)	TOTAL DEPTH (FT)	WALL THICKNESS (IN)	TOP THICKNESS (IN)	BASE THICKNESS (IN)
4500	12.00	6.00	8.50	9.50	6	6	6
4500	12.00	9.00	5.75	6.75	6	7	7
4500	13.50	9.00	5.00	6.00	8	8	8
4500	15.00	10.00	4.00	5.00	8	8	8
5000	12.00	6.00	9.50	10.50	6	6	6
5000	12.00	9.00	6.25	7.25	6	7	7
5000	13.50	9.00	5.50	6.50	8	8	8
5000	15.00	10.00	4.50	5.50	8	8	8
5500	12.00	6.00	10.25	11.25	6	6	6
5500	12.00	9.00	7.00	8.00	6	7	7
5500	13.50	9.00	6.25	7.25	8	8	8
5500	15.00	10.00	5.00	6.00	8	8	8
6000	13.50	9.00	6.75	7.75	8	8	8
6000	15.00	10.00	5.50	6.50	8	8	8
6000	18.00	12.00	3.75	4.75	8	8	8
6500	18.00	12.00	4.00	5.00	8	8	8
7000	18.00	12.00	4.50	5.50	8	8	8
7500	18.00	12.00	4.75	5.75	8	8	8
8000	18.00	12.00	5.00	6.00	8	8	8



MATERIALS:

CONCRETE: 4,000 PSI, TYPE I/II CEMENT
 MINIMUM #5 @ 12" O.C.E.W. - GRADE 60 REINFORCEMENT

NOTES:

AASHTO H20 DESIGN LOADING AVAILABLE
 EITHER SLIP-IN, BOLT-IN OR INTEGRAL TYPE BAFFLE WALLS MAY BE USED AT THE PRECASTER'S DISCRETION.
 WALLS SHALL BE PLACED AS DESIGNED BY THE ENGINEER.
 ALL PLUMBING HARDWARE AND GROUTING TO BE SUPPLIED AND APPLIED TO TANK BY CONTRACTOR.
 INLET AND OUTLET PIPE SUPPLIED BY THE CONTRACTOR TO MEET THE REQUIREMENTS SET BY THE DEPARTMENT OF HUMAN RESOURCES-ENVIRONMENTAL HEALTH SECTION MANUAL.
 EFFLUENT WILL BE A MINIMUM OF 2" BELOW INFLUENT. HOLES MAY BE CAST 2" GREATER THAN PIPE DIAMETER OR THEY MAY HAVE PIPE BOOTS AT CONTRACTOR'S OPTION.
 WALL, TOP AND BASE THICKNESS MAY CHANGE DUE TO DESIGN LOADING. HOWEVER, INTERIOR CAPACITY WILL NOT BE AFFECTED.
 THIS DRAWING REFERENCES TANK DF-7, DF-8 AND DF-9 FROM THE DEPARTMENT OF HUMAN RESOURCES-ENVIRONMENTAL HEALTH SECTION MANUAL.



BOX

OIL WATER SEPARATOR / SEPTIC TANK CHART

2.8