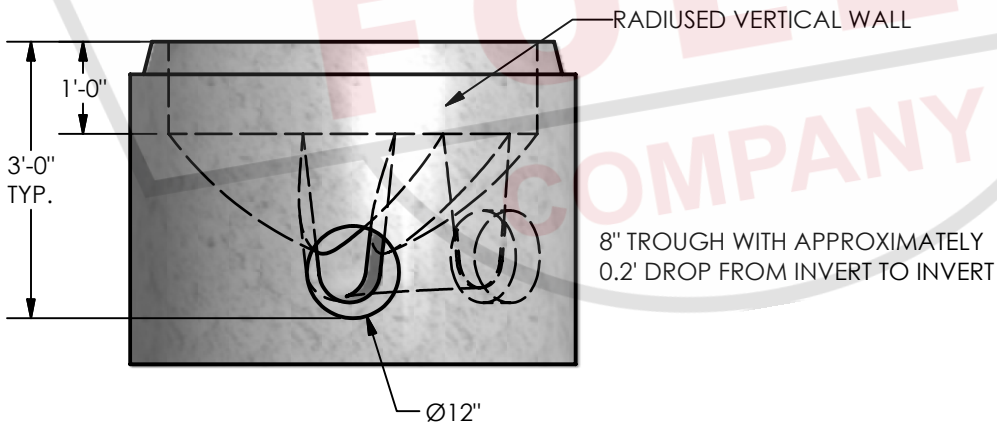


**Ø48" STOCK INVERTS:**

- 0°
- 0° & 90°
- 0° & 105°
- 0° & 120°
- 0° & 135°
- 0° & 150°
- 0° & 165°
- 0° & 180°
- 0° & 195°
- 0° & 210°
- 0° & 225°
- 0° & 240°
- 0° & 255°
- 0° & 270°



**MATERIALS:**  
 CONCRETE: 4,000 PSI, TYPE I/II CEMENT  
 REINFORCEMENT PER ASTM C-478

**NOTES:**  
 FLEXIBLE CONNECTORS ARE AVAILABLE  
 Ø8" SHOWN: Ø12" HOLE ONLY  
 2.96 TONS

**PARTS SHOWN:**  
 Ø48" (5") 3'-0" BASE WITH MONOLITHIC INVERT  
 Ø12" BOOT AT 0° FOR 8" PVC  
 Ø12" BOOT AT 225° FOR 8" PVC UP 2"



**ROUND PRECAST**

MONOLITHIC INVERT

**1.13**