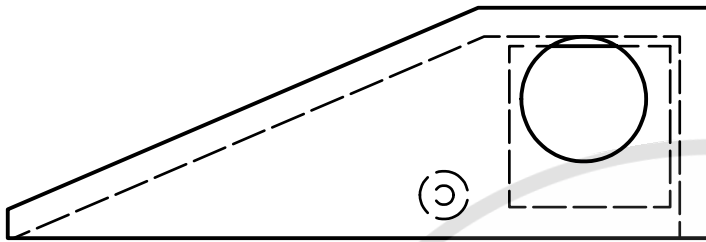
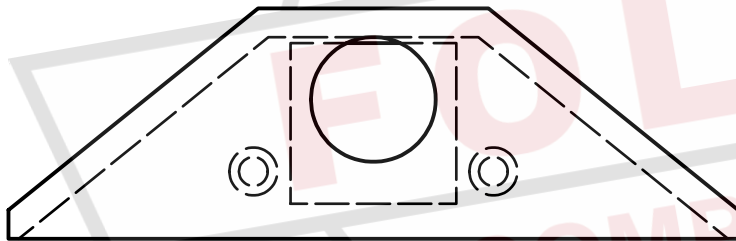


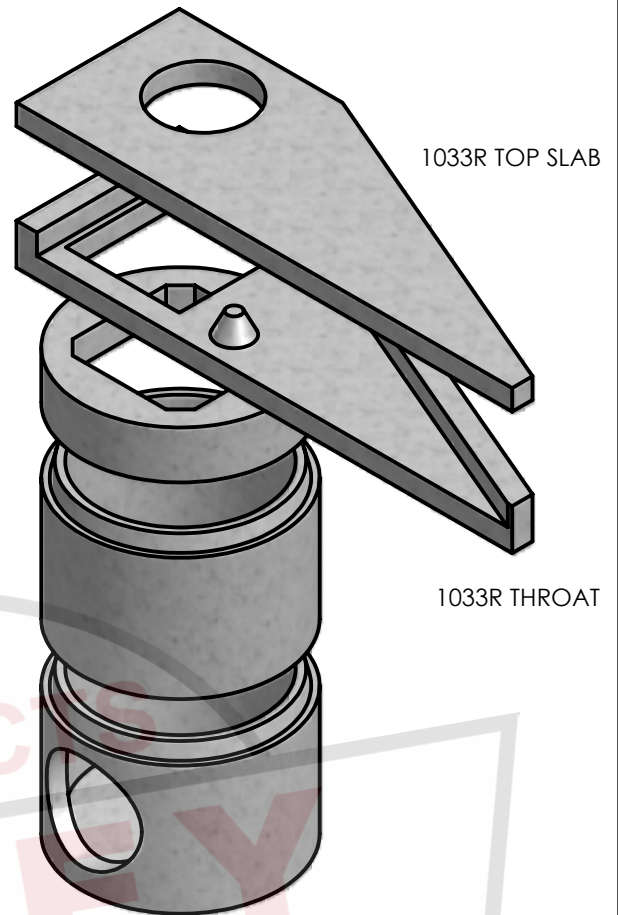
1033 RIGHT WING SPILLWAY (1033R)
(OTHER PARTS SHOWN IN THIS PLAN VIEW)



1033 LEFT WING SPILLWAY (1033L)



1034 SPILLWAY (1034)



1033R TOP SLAB

1033R THROAT

MATERIALS:

CONCRETE: 4,000 PSI, TYPE I/II CEMENT
REINFORCEMENT PER ASTM C-478

NOTES:

RING & COVER NOT SHOWN FOR CLARITY
REFERENCE GA DOT STANDARD 1033 FOR REINFORCEMENT DETAILS
SPILLWAY STACK HEIGHT IS 18"
FLEXIBLE CONNECTORS ARE AVAILABLE

PARTS SHOWN:

1033 RIGHT WING TOP SLAB
1033 RIGHT WING THROAT
Ø48" ROUND TO SQUARE
Ø48" (5") 3'-0" RISER
Ø48" (5") 3'-0" BASE W/ Ø28" HOLE



ROUND PRECAST

1033 & 1034 SPILLWAYS

1.9