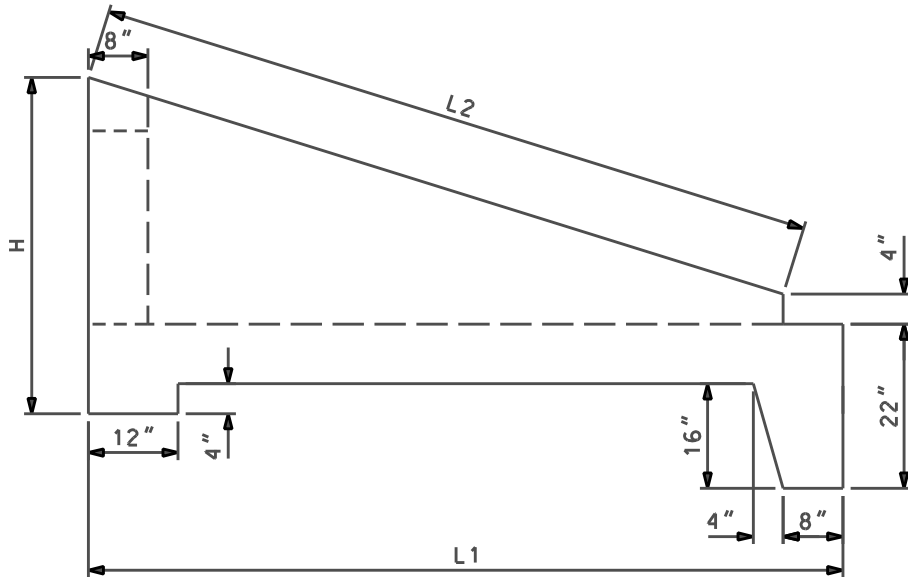
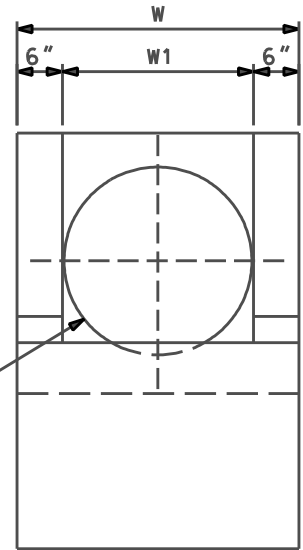
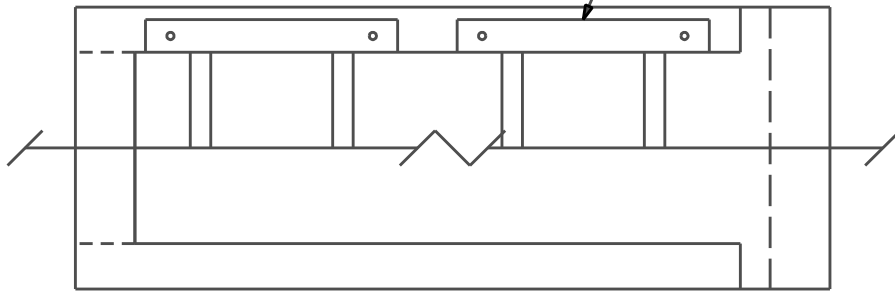


WITH OR WITHOUT SAFETY GRATES



DIMENSIONS

PIPE DIA.	H	L1	L2	W	W1	RCP	CMP	WEIGHT
18"	38"	104"	99"	37"	25"	25"	22"	4.232 LB
24"	45"	132"	128"	44"	32"	32"	28"	6.955 LB



HERMITAGE, TN LENOIR CITY, TN
FRANKLIN, TN CHATANOOGA, TN