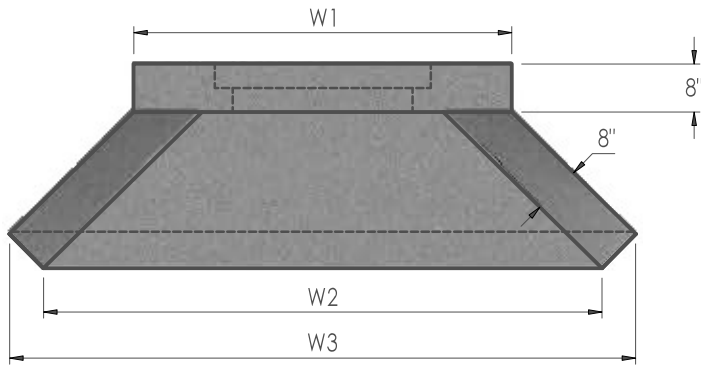
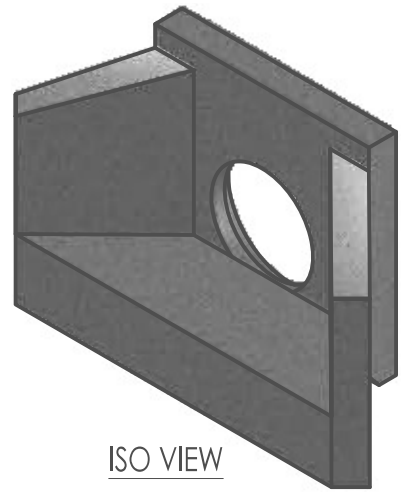


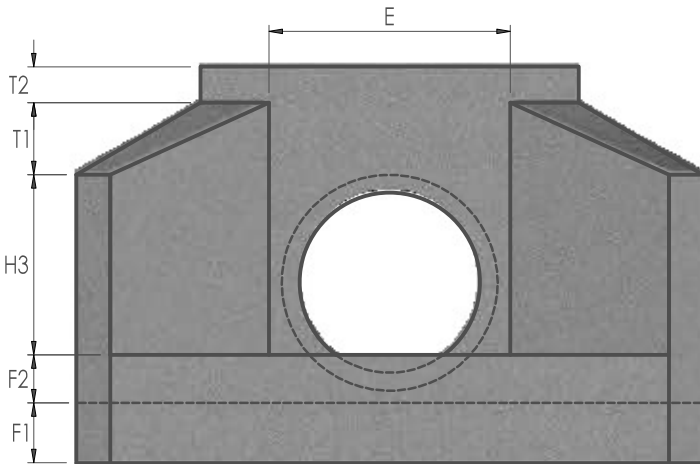
HW	D1	D2	W1	W2	W3	L	E	H1	H2	H3	T1	T2	F1	F2	TONS
HPR15	21"	24"	48"	72"	82"	18"	27"	39"	45"	20"	8"	6"	7"	12"	1.76
HPR18	23"	28"	48"	72"	82"	18"	27"	39"	45"	20"	8"	6"	7"	12"	1.74
HPR24	30"	36"	63"	93"	104"	26"	40"	48"	62"	30"	12"	6"	8"	10"	4.07
HPR30	36"	42"	76"	119"	133"	36"	52"	58"	69"	40"	8"	8"	8"	10"	4.58
HPR36	42"	48"	76"	119"	133"	36"	52"	58"	69"	40"	8"	8"	8"	10"	4.45
HPR42	-	56"	75"	119"	133"	36"	55"	59"	74"	41"	12"	8"	8"	10"	4.16
HPR48	-	62"	70"	142"	153"	46"	48"	53"	72"	35"	16"	7"	6"	12"	4.45



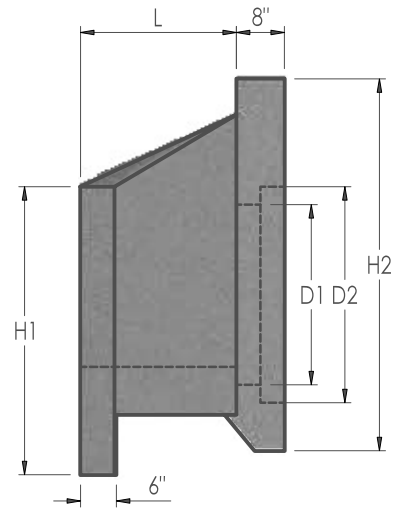
PLAN VIEW



ISO VIEW



FRONT ELEVATION



SIDE ELEVATION

NOTES:

1. CONCRETE: 4,000 PSI, TYPE I/II CEMENT
2. REFER TO WORK ORDER DRAWINGS FOR ADDITIONAL DETAILS

PART SHOWN:

HPR24 HEADWALL FOR Ø24" RCP



CULLMAN HEADWALLS

HEADWALLS

1.0