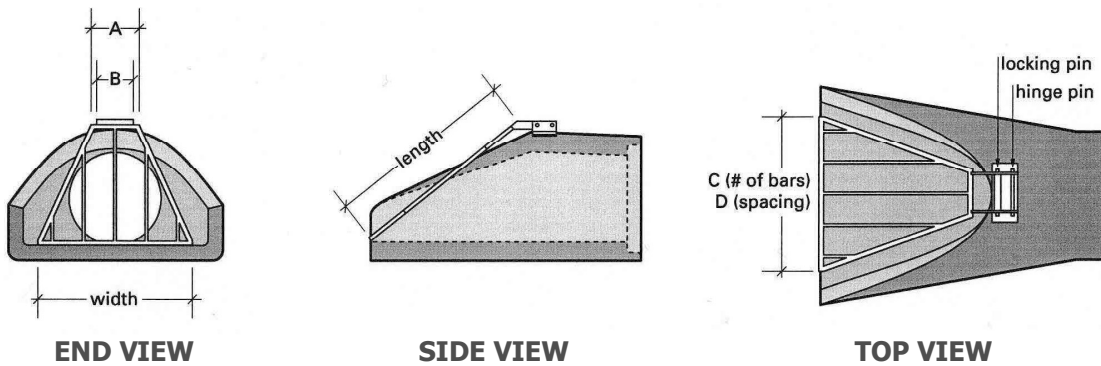


Standard Trash Rack Details for Reinforced Concrete Pipe Flared End Sections



Pipe I.D. (inches)	A (inches)	B (inches)	C (inches)	D (inches)	Width (inches)	Length (inches)
12	11	7.5	3	6.0	21	30.00
15	9	5.5	3	6.5	27	28.00
18	10	6.5	3	8.0	28	31.00
24	12	9.5	5	8.0	40	47.50
30	15	12.5	5	9.0	52	59.75
36	18	15.5	7	8.5	58	71.25
42	21	18.5	7	9.0	64	75.00
48	24	21.5	9	8.0	70	82.75
54	24	21.0	14	6.0	84	84.00
60	24	21.0	15	6.0	89	91.00
72	24	21.0	22	6.0	132	108.00

- Trash Racks shall be installed at locations shown on plans or as specified by engineer.
- Padlocks for locking bar will be furnished and installed by others as required.
- Trash Racks are not designed to carry wheel loadings and as such are not to be used as safety grates.
- Product data subject to change without notice.



Denver Pipe Plant
 8311 West Carder Court
 Littleton, Colorado 80125
 303.791.1600
 Facsimile 303.791.1710